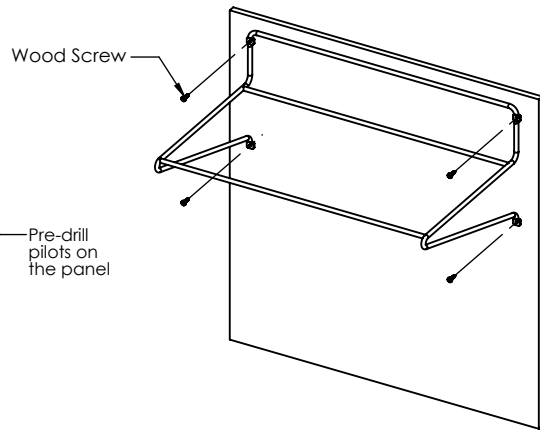


**STEP 1:** PRE-DRILL PILOTS ON PANEL AS SHOWN ABOVE



**STEP 2:** INSTALL FRAME ON PANEL USING WOODS SCREWS

